

AIR HEATER

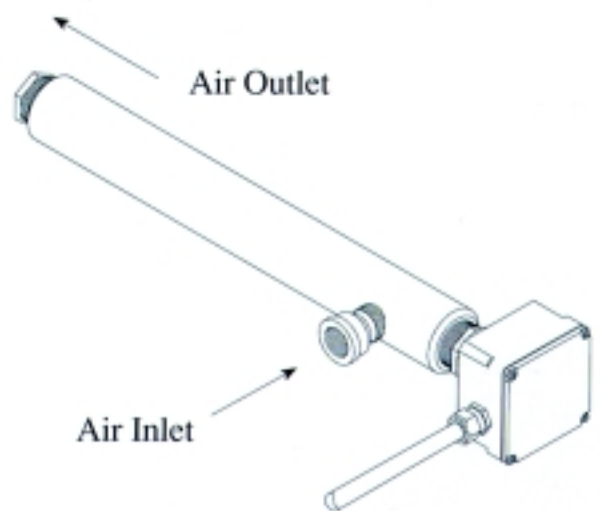
Model BPH-1



**The Jarvis Model BPH-1 —
electrically powered in line air heater.**

JARVIS

- The Jarvis Model BPH-1 applies heat in compressed air lines.
- Designed specifically for use with all Jarvis pneumatically powered hand tools.
- Prevents air motor ice-up, eliminating down-time with tools.
- Increases operator comfort by heating the air circulating through the tool.
- Can accommodate up to two tools.



LESS DOWN-TIME – MORE COMFORT

AIR HEATER

Model BPH-1

Specifications

Drive	Electric	
Operating Voltage	110V, 1 Phase, 50/60Hz other voltages available	
Capacity		
Operating Pressure	100 PSI	6.8 bar
Air Consumption	60 CFM	1.68 m ³ /min
Pipe Connection Size	1.0 in NPT	
Overall Length	25 in	622 mm
Weight	11.3 lbs	5.1 kg

Equipment Selection and Accessories

Order Number

Model BPH-1	110V, 1 Phase, 50/60Hz *	4045001
-------------	--------------------------	---------

* For other configurations: please specify voltage, hertz, and intended country of operation when ordering.



Products for the meat and poultry industry

Jarvis Products Corporation • 33 Anderson Road • Middletown, CT 06457 • United States of America
Telephone (860) 347-7271 • Fax (860) 347-6978